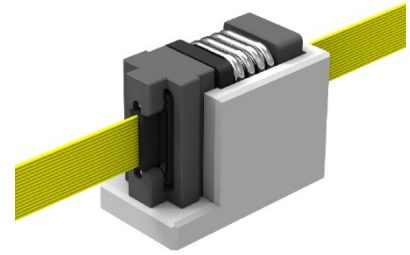


In order to ensure the highest technical performance and to provide an optimum solution for high density packaging on-board application, OECE has developed the MT Mini connection.

MT Mini Connection is based on MT ferrules and are designed to operate with multimode and single mode fibers, 0° PC as well as 8° APC polished. The MT Mini connector is also available as PM (Polarization Maintaining) interface.

Short length MT ferrule, 1/2 of standard MT, also available.

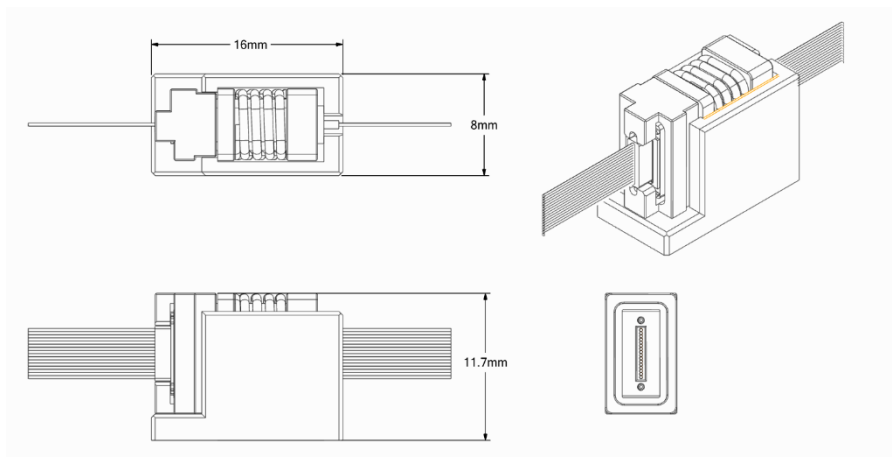


Features

- Minimum space requirement (footprint of 16mm*8mm)
- Available in PC, APC and PM termination
- Insertion Loss: Low loss grade, 0.35dB MAX
- Easy installation and assembly tool is available.
-

Parameter	Specification
Fiber Qty	12F or 16F fiber
Optical fiber type	SM/MM/PM 1310nm 1550nm or Customized configurations
Polishing Angle	+8°, -8°, 0° or Customized configurations
IL (dB)	≤0.3
RL (dB)	≥55
PER for PM fiber (dB)	≥23
ROHS&REACH	Conforms
Storage/ operating temperature	-40~+85 °C

Dimensions



Assembling Process

